



NEXT 25  
SERIE II

 **IEMCA**  
**BUCCI**  
INDUSTRIES

# NEXT 25 SERIE II

The **Next 25 Serie II** is an automatic barfeeder for **multi-spindle lathes**, completely integrated, able to handle bars with diameters between **4\*** and **25 mm** and lengths between **2850** and **4200 mm**. It is very compact and high-performing, suitable for making the most of the lathe, ensuring ease of use, speed of rotation and indexing, and silent. This all translates into a considerable increase in productivity.

 **IEMCA**



∅ 4\*-25 mm

**NEXT 25**



Watch the video of the  
Next 25 Serie II

## How it works

The bar is automatically selected from the magazine, loaded into the guide channel, and moved forward until it reaches the lathe bar stop device. While it turns, the lathe autonomously advances the bar through the tailstock (\*\*). Each guide channel, circular and lubricated, **perfectly** holds the turning bar.

## Reasons to Purchase

**Fast.** The polyurethane oil bath guide channel is completely lubricated and closed around the entire length of the bar, assuring the highest rotation speed. The bar changeover and indexing time have been reduced to values that until now have been unimaginable.

**Simple.** The bar loading into the magazine is at an ergonomic position. The retooling of each lathe and replacement of the guide channels are made easy, thanks to the snap-in guides, accessibility to the barfeeders, and the axial shifting device.

**Supersilent.** The type of guide channel and the material it's built out of guarantees silence, especially compared to conventional solutions, for every bar shape (round, hexagonal, square).

(\*) With particular configurations, it is possible to load bars  $d=3$  mm

(\*\*) IEMCA recommends the use of adjustable pliers

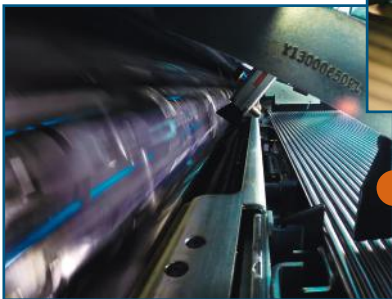
## Speed



The guide channel perfectly closes on the bar diameter along its entire length. The oil inside guarantees hydrodynamic support for the bar, thereby allowing the lathe to reach rotation speeds of up to **10,000 rpm** without vibration



The bar changeover time is extremely low and, given compatibility with the application type of the lathe, can be between **3 and 12 seconds**



The structure of the barfeeder allows the lathe an indexing time up to **0.15 seconds** (\*\*\*)

## Simplicity



The magazine is easily accessible and allows the operator to load bars at an **ergonomic height**



The loading of the magazine is **safe**, even while the barfeeder is working



The back area of the barfeeder is easily **accessible** for retooling



Thanks to the snap-in technology, the operator is able to replace the guide channels in only **2 minutes**



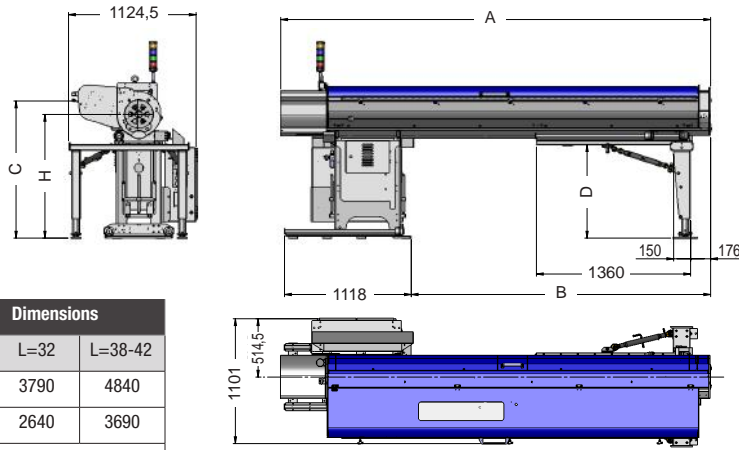
The **axial shifting** device provides convenient access to the back of the lathe

## Super Silence



The oil bath bar rotation, inside the polyurethane guide channel, guarantees the maximum silence even with the most challenging applications on **square** or **hexagonal** bars

(\*\*\*) Depending on the model of the lathe



Dimensions		
	L=32	L=38-42
A	3790	4840
B	2640	3690
C	min. 1210 max. 1400	
D	min. 820 max. 1010	
H	min. 1090 max. 1280	

Technical Characteristics	
Round bar dimensions	ø 4 - 25 mm
Hexagonal bar dimensions	4 - 21 mm
Square bar dimensions	4 - 17 mm
Single rack magazine capacity	300 mm
Multi rack magazine capacity	1800 mm
Min. bar changeover time	3 sec
Power supply voltage	230/400 Volt
Installed power	2 KW
Air pressure	6 bar
Weight	Mod. 32 - Kg 900 Mod. 38 - Kg 1100 Mod. 42 - Kg 1200



Multi rack magazines with capacity of 1800 mm are available upon request.

**IEMCA, a BUCCI AUTOMATIONS S.p.A. Division**  
Via Granarolo 167, 48018 Faenza (RA), ITALY  
Tel. +39.0546.698000 Fax + 39.0546.46338  
iemca.it@bucci-industries.com www.iemca.com

**BRAZIL**  
BUCCI INDUSTRIES BRASIL (IGM DO BRASIL LTDA)  
Avenida dos Pinheiros 465 - 13280-000 Vinhedo - SP (São Paulo)  
Phone +55 19 3515 7220 iemca.br@bucci-industries.com www.buccibrasil.com.br

**FRANCE**  
BUCCI INDUSTRIES FRANCE  
145 Rue Louis Armand - ZI des Grands Pres - F - 74300 Cluses  
Phone +33 450 896960 Fax +33 450 896135 iemca.fr@bucci-industries.com www.bucci-industries.fr

**GERMANY**  
BUCCI INDUSTRIES DEUTSCHLAND GmbH  
Stammheimer Str. 10 - D-70806 Kornwestheim  
Phone +49 (0)7154 83 70 700 Fax. +49 (0)7154 83 70 7025 iemca.de@bucci-industries.com www.bucci-industries.com

**JAPAN**  
IEMCA division of IGM Nippon K.K.  
6-10-1, Kamoi, Midori-KU - Yokohama-Shi, Kanagawa, JAPAN Zip code 226-0003  
Phone +81 45 931 5096 Fax +81 45 931 5098 iemca.jp@bucci-industries.com

**PRC**  
BI-TECH (Suzhou) Co., Ltd.  
106 Wufang Road, Wujiang Area, Suzhou, PRC 215200  
Phone +86 512 8155 6988 Fax +86 512 8155 6986 iemca.cn@bucci-industries.com

**TAIWAN**  
GIMCO Ltd.  
NO. 297, Dongsing Rd., Dali City, Taichung County, 412, TAIWAN, R.O.C.  
Tel +886-4-2406-6970 Fax +886-4-2406-6943 iemca.tw@bucci-industries.com www.gimco.com.tw

**USA**  
BUCCI INDUSTRIES USA Inc.  
9332 Forsyth Park Drive - Charlotte - NC 28273-9332 - USA  
Phone 001-704-5838341 Fax 001-704-5838486 iemca.us@bucci-industries.com www.bucci-industries.us



Follow us on  
**YouTube**  
**LinkedIn**

Scan our QR code with your smartphone

